

DS-KH6350-WTE1 Video Intercom Network Indoor Station



The KH6 series IP indoor station, with 7-inch touch screen, brings you a fluent video and audio communication. By considering the difficulty of deployment of the traditional video intercom, the device has improved the design and can deploy the whole video intercom system by itself independently, without extra devices or configurations, which reduces the deployment time and cost. You can view, chat with, and send permission for the visitor via mobile phone in anywhere. The device can also link other control systems, such as CCTV system, elevator control system, etc.

- 7-inch TFT touch screen with 1024 × 600 resolution
- Convenient Hik-Connect APP Mobile Control
- Receive calls, open the door and live view remotely
- Easy to use without PC
- Easy wizard for quick set up
- Configure the whole system on one touch screen
- Live view of the door station and cameras in public areas
- Support voice messages when no response from the indoor station
- Receive alarms by linkage with a alarm system and notify the center to handle in time
- Elevator access control

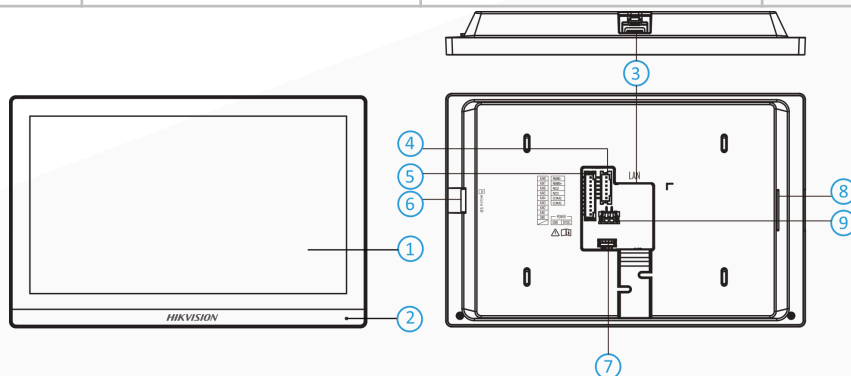
Specification

System parameters	
Operation system	Linux
ROM	32 MB
RAM	128 MB
Processor	Embedded high performance processor
Display parameters	
Screen size	7-inch
Operation method	Capacitive touch screen
Type	Colorful TFT
Resolution	1024 × 600
Video parameters	
Lens	/
Resolution	/
FOV	/
Wide dynamic range (WDR)	/
Video compression standard	H.265 ; H.264
Focal length	/
Audio parameters	
Audio input	1 built-in omnidirectional microphone
Audio compression standard	G.711 U、G.711 A、Opus、AAC-LD、AAC-LC、G.726、G.722.1
Audio output	1 built-in loudspeaker
Audio compression bitrate	64 Kbps
Audio quality	Noise suppression and echo cancellation
Volume adjustment	Adjustable
Capacity	
Message capacity	TF card inserted: 200 captured pictures, 200 alarm records Without TF card: 2 MB RAM for picture storage; The storage number is decided by the picture size, 200 alarm records
Notice capacity	200
Linked indoor extensions capacity	5
Linked doorphone capacity	9
Network parameters	
Network protocol	TCP/IP, SIP, RTSP
Wi-Fi	2.4 GHz, IEEE802.11b, IEEE802.11g, IEEE802.11n
Bluetooth	/
3G/4G	/
Zigbee	/
Device interfaces	
Alarm input	8
Network interface	1 RJ-45 10/100 Mbps self-adaptive
TAMPER	/
RS-485	1 RS-485 (Half duplex)

USB	/
TF card	Support TF card, up to 128 G
Alarm output	2
Lock control	2 relays, Max. 30 VDC 0.3 A
General	
Button	/
Installation	Wall mounting, table mounting
Indicator	/
Weight	Net weight: 355 g (0.8 lb) Gross weight: 683 g (1.5 lb)
Protective level	/
Working temperature	-10 °C to 50 °C (14 °F to 122 °F)
Working humidity	10% to 90% (no-condensing)
Dimension (W × H × D)	175 mm × 113.5 mm × 21 mm (6.9" × 4.5" × 0.83")
Battery	/
Application environment	Indoor
Power consumption	≤ 5 W
Language	English, Arabic, French, Russian, Spanish, Spanish (Latin America), Italian, German, Polish, Turkish, Portuguese, Portuguese (Brazil), Uzbek, Kazakh, Czech, Hungarian, Dutch, Romanian, Bulgarian, Ukrainian, Croatian, Serbian, Greek, Lithuanian, Estonian, Latvian, Norwegian, Danish, Slovenian, Slovak, Hebrew, Swedish, Finnish, Mongolian, Vietnamese, Traditional Chinese
Power supply	12 VDC, 1 A, IEEE802.3af, Standard PoE

. Physical Interface

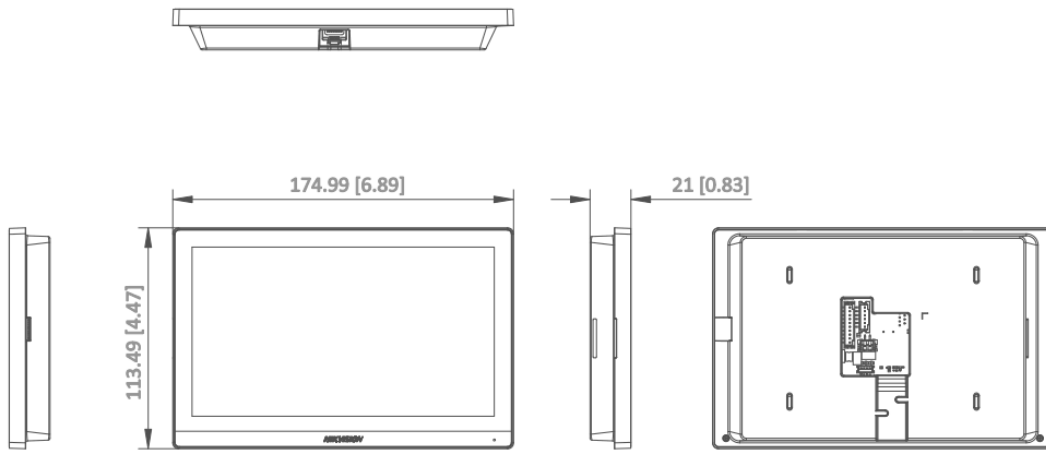
No.	Description	No.	Description
1	Screen	6	TF Card Slot
2	Microphone	7	Debugging Port
3	Network Interface	8	Loudspeaker
4	RS-485 Terminal (Reserved)	9	Power Supply Terminal
5	Alarm Terminal		



. Available Model

DS-KH6350-WTE1

. Dimension






Unit:mm [inch]

SCALE 1:1

. Accessory

. Optional

DS-KAW50-1	DS-KAW50-1N	DS-KABH6350-T
		

See Far, Go Further



www.hikvision.com
support@hikvision.com

